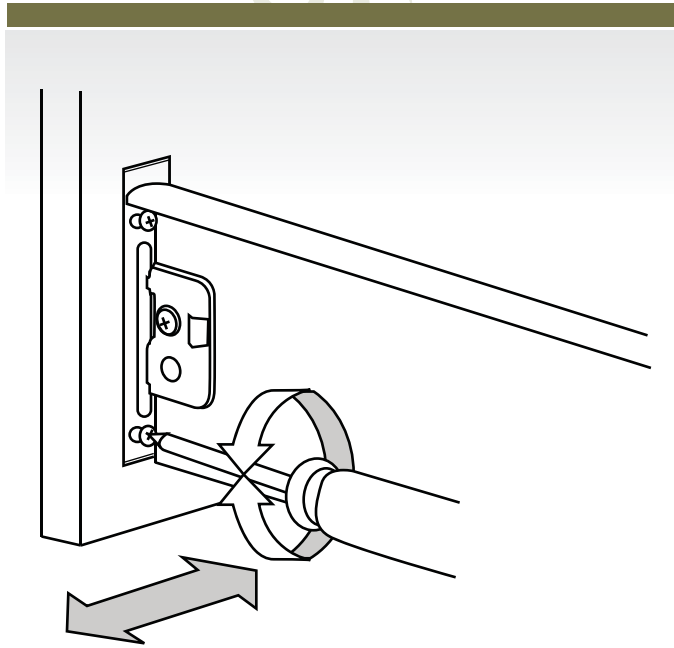
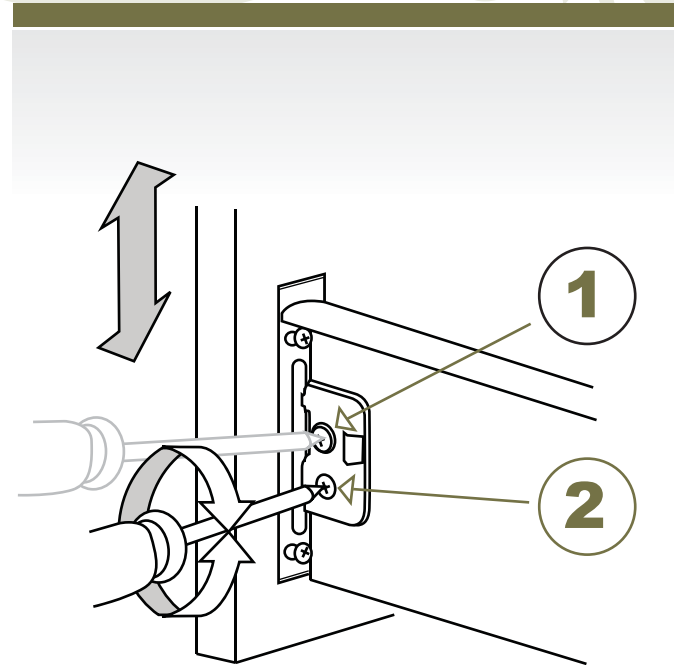


DRAWER ADJUSTMENTS



DRAWER FRONT SIDE ADJUSTMENT

- * Back out screw 1/2 turn.
- * Slide side to side until in desired position.
- * Tighten screw.



DRAWER FRONT HEIGHT ADJUSTMENT

- * Back out screw #1.
- * Turning #2 cantilever screw will move drawer up and down.
- * Adjust to desired position.
- * Retighten screw #1.

NOTE

After adjusting any door or drawer it is a good idea to tighten all screws again.

* AyA's warranty will not extend to adjusting doors and drawers after final inspection.