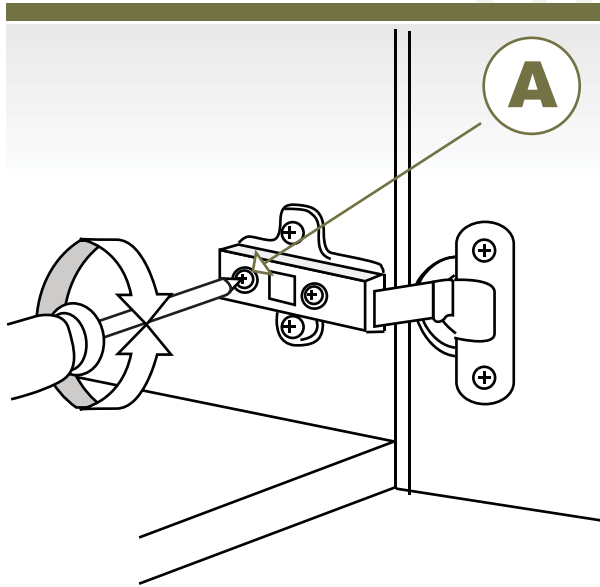
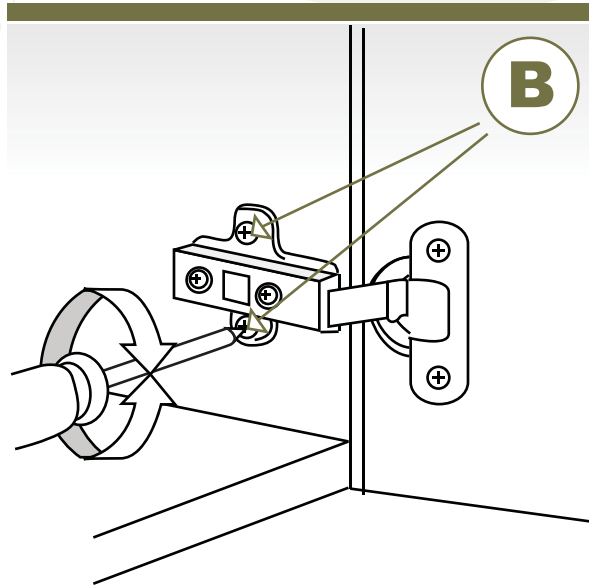


DOOR ADJUSTMENTS



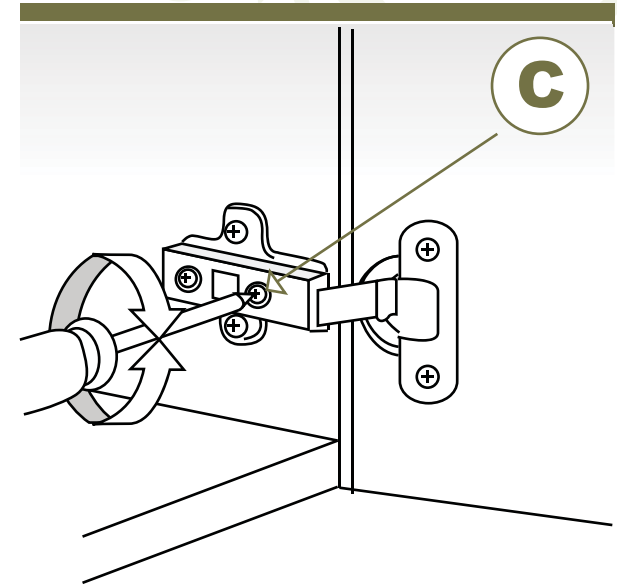
DEPTH ADJUSTMENT

- * Loosen screw "A".
- * Move door in or out as required.
- * Tighten screw.
- * Check adjustment and repeat if necessary.



HEIGHT ADJUSTMENT

- * Back out screw 1/4 turn from box.
- * Move hinge up or down as required (adjust both if necessary)



SIDE-TO-SIDE ADJUSTMENT

- * Turn screw "C" clockwise or counter clockwise.
- * Move door left or right as required.

NOTE

After adjusting any door or drawer it is a good idea to tighten all screws again.

* AyA's warranty will not extend to adjusting doors and drawers after final inspection.