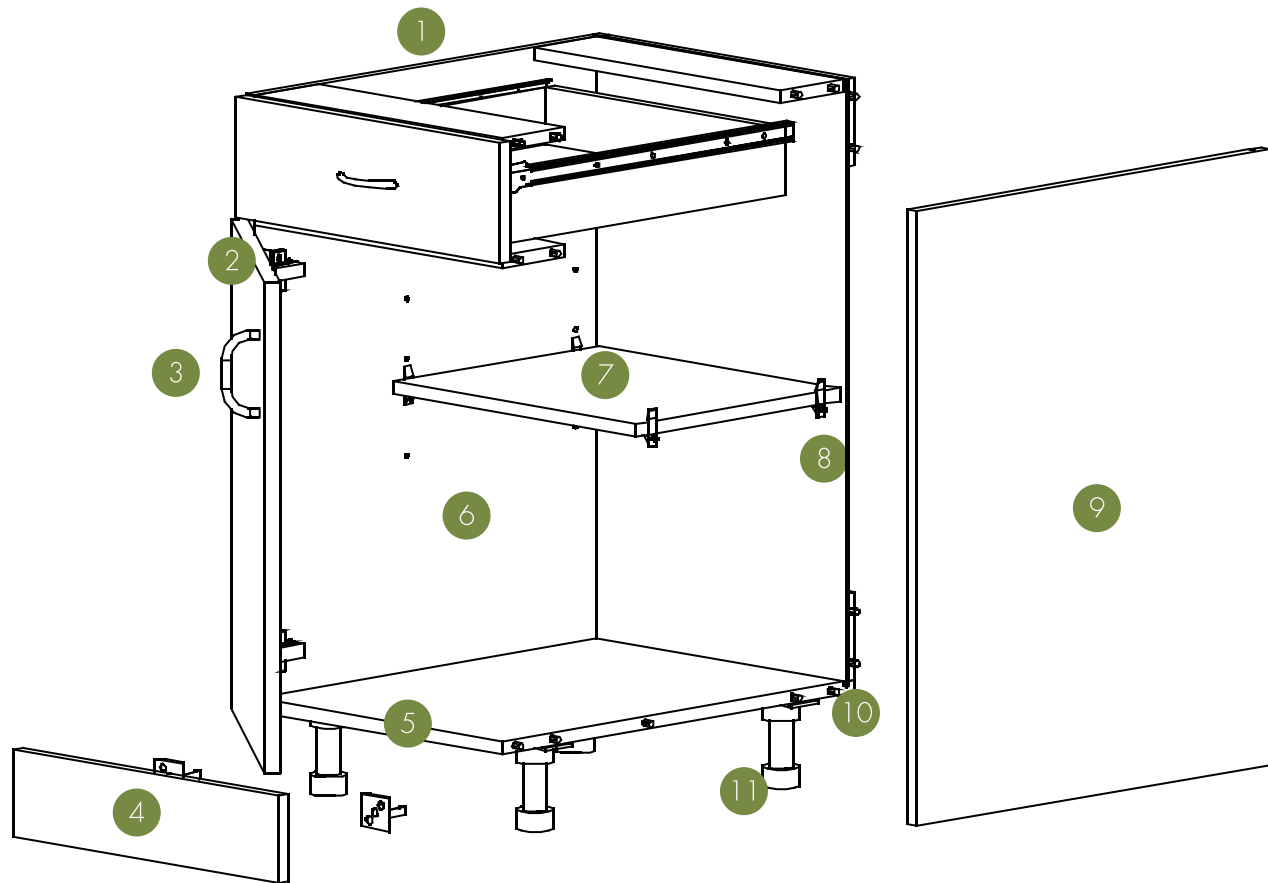


CABINET CONSTRUCTION STANDARD BOX



- 1.** Steel drawer box with 5/8" bottom
- 2.** Clip on hinges including 3rd hinge on 42" wall cabinets
- 3.** 20 Standard handles and knobs
- 4.** Clip on veneer toe kick with mitred and glued corners
- 5.** All four cabinet front edges are colour coordinated PVC
- 6.** 100% melamine interior
- 7.** 3/4 depth base cabinet shelves
- 8.** Backing on all cabinets including sink cabinets
- 9.** All exposed gables for wood door styles are matching wood veneer
- 10.** Dowel & glue cabinet construction
- 11.** Base cabinets on adjustable legs